



DEPARTMENT OF REGULATORY AND ECONOMIC RESOURCES (RER)
 BOARD AND CODE ADMINISTRATION DIVISION
NOTICE OF ACCEPTANCE (NOA)

Custom Window System, Inc.
 1900 SW 44th Ave.,
 Ocala, FL 34474

SCOPE:

This NOA is being issued under the applicable rules and regulations governing the use of construction materials. The documentation submitted has been reviewed and accepted by Miami-Dade County RER Product Control Section to be used in Miami Dade County and other areas where allowed by the Authority Having Jurisdiction (AHJ).

This NOA shall not be valid after the expiration date stated below. The Miami-Dade County Product Control Section (In Miami Dade County) and/or the AHJ (in areas other than Miami Dade County) reserve the right to have this product or material tested for quality assurance purposes. If this product or material fails to perform in the accepted manner, the manufacturer will incur the expense of such testing and the AHJ may immediately revoke, modify, or suspend the use of such product or material within their jurisdiction. RER reserves the right to revoke this acceptance, if it is determined by Miami-Dade County Product Control Section that this product or material fails to meet the requirements of the applicable building code.

This product is approved as described herein and has been designed to comply with the Florida Building Code, including the High Velocity Hurricane Zone.

DESCRIPTION: Series “CWS-380” Aluminum Sliding Glass Door – Non-Impact.

APPROVAL DOCUMENT: Drawing No. **CWS-1215**, titled ““CWS-380” Non-Impact Aluminum Sliding Door-No Steel Reinforcement”, sheets 1 through 8 of 8, dated DEC 18, 2023, prepared by manufacturer, signed and sealed by Thomas J. Sotos, P.E., bearing the Miami-Dade County Product Control Revision stamp with the Notice of Acceptance number and expiration date by the Miami-Dade County Product Control Section.

MISSILE IMPACT RATING: Non-Impact. HVHZ Hurricane Protection Devices required.

Limitations:

1. See design pressure chart VS door sizes, glass types and sill height, in sheet 2.
2. The alternate frame area must not exceed the tested SGD panel and over all frame area.
3. Pocket is not part of this approval and to be reviewed by Building Official.
4. Applicable door egress requirement to be reviewed by Building Official.

LABELING: Each unit shall bear a permanent label with the manufacturer's name or logo, city, state and series and following statement: "Miami-Dade County Product Control Approved", unless otherwise noted herein.

RENEWAL of this NOA shall be considered after a renewal application has been filed and there has been no change in the applicable building code negatively affecting the performance of this product.

TERMINATION of this NOA will occur after the expiration date or if there has been a revision or change in the materials, use, and/or manufacture of the product or process. Misuse of this NOA as an endorsement of any product, for sales, advertising or any other purposes shall automatically terminate this NOA. Failure to comply with any section of this NOA shall be cause for termination and removal of NOA.

ADVERTISEMENT: The NOA number preceded by the words Miami-Dade County, Florida, and followed by the expiration date may be displayed in advertising literature. If any portion of the NOA is displayed, then it shall be done in its entirety.

INSPECTION: A copy of this entire NOA shall be provided to the user by the manufacturer or its distributors and shall be available for inspection at the job site at the request of the Building Official.

This NOA **revises** NOA # **23-0926.07** (PVT Lawson Industries, Inc.), consists of this page 1 and evidence pages E-1, E-2, E-3 & E-4, as well as approval document mentioned above.

The submitted documentation was reviewed by **Ishaq I. Chanda, P.E.** Ishaq I. Chanda 02/01/24



NOTICE OF ACCEPTANCE: EVIDENCE SUBMITTED

1. EVIDENCE SUBMITTED UNDER PREVIOUS NOA's

A. DRAWINGS

1. Manufacturer's die drawings and sections.
(Submitted under NOA's No. 99-0517.05 and 09-0706.067)
2. Drawing No. **L9000-0901**, titled "Series SGD-9000 Aluminum Sliding Glass Door (N.I.) No Steel Reinforcement", sheets 1 through 8 of 8, dated 06/04/09, with revision **D** dated 08/17/20, prepared by manufacturer, signed and sealed by Thomas J. Sotos, P.E. *(Submitted under NOA No. 20-0901.07)*

B. TESTS

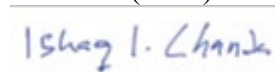
1. Test reports on: 1) Uniform Static Air Pressure Test, Loading per FBC TAS 202-94 along with marked-up drawings and installation diagram of an aluminum sliding glass door, prepared by Hurricane Engineering & Testing, Inc., Test Reports No. **HETI-09-2534** and **HETI-08-2176**, dated 05/05/09, both signed and sealed by Candido F. Font, P.E.
(Submitted under NOA No. 09-0706.07)
2. Test reports on: 1) Uniform Static Air Pressure Test, Loading per FBC TAS 202-94
2) Large Missile Impact Test per FBC, TAS 201-94
3) Cyclic Wind Pressure Loading per FBC, TAS 203-94
4) Forced Entry Test, Type "C" sliding door, Grade 10, per FBC 2411.3.2.1, TAS 202-94 and per ASTM F 842-04
along with marked-up drawings and installation diagram of an aluminum sliding glass door, prepared by Fenestration Testing Laboratory, Inc., Test Reports No. **FTL-2019**, **FTL-2021**, **FTL-2023**, **FTL-2024**, **FTL-2025**, **FTL-2028**, **FTL-2029** and **FTL-2030**, dated 01/04/99, all signed and sealed by Gilbert Diamond, P.E.
(Submitted under NOA No. 99-0517.05)

C. CALCULATIONS

1. Anchor verification calculations and structural analysis, complying with **FBC**, dated 04/28/15, prepared by manufacturer, signed and sealed by Thomas J. Sotos, P.E.
(Submitted under NOA No. 14-0908.03)
2. Glazing complies with **ASTM E 1300-04/09**.

D. QUALITY ASSURANCE

1. Miami-Dade Department of Regulatory and Economic Resources (RER)



Ishaq I. Chanda, P.E.
Product Control Unit Supervisor
NOA No. 23-0116.21
Expiration Date: August 26, 2028
Approval Date: February 01, 2024

Custom Window System, Inc.

NOTICE OF ACCEPTANCE: EVIDENCE SUBMITTED

1. EVIDENCE SUBMITTED UNDER PREVIOUS NOA's (CONTINUED)

E. MATERIAL CERTIFICATIONS

1. Technical data sheet of flexible vinyl compound FPVC 7267-75 (White) & FPVC 7200-75 (Black), published by Team Plastics, Inc./ Bayshore Vinyl Compounds, Inc. a division of Mexichem SAB de CV, LLC, expiring on 07/08/24.

F. STATEMENTS

1. Statement letter of conformance to and complying with **FBC 7th Edition (2020)** and of no financial interest, dated 06/08/22, issued by manufacturer, signed and sealed by Thomas J. Sotos, P.E.
(Submitted under NOA No. 22-0613.05)
2. Statement letter from QAI testing lab for upcoming scheduled test for Lawson Industries, Inc., dated 07/01/22, signed by Ms. Lusinda Delgado.
(Submitted under NOA No. 22-0613.05)
3. RER email test proposal dated 06/28/22.
(Submitted under NOA No. 22-0613.05)
4. Laboratory compliance letter for Test Reports No. **HETI-09-2534** and **HETI-08-2176**, dated 05/05/09, issued by Hurricane Engineering & Testing, Inc., signed and sealed by Candido F. Font, P.E.
(Submitted under NOA No. 09-0706.07)
5. Proposal No. **08-0591**, issued by Product Control, dated 07/15/08, signed by Renzo Narciso.
(Submitted under NOA No. 09-0706.07)
6. Laboratory compliance letter for Test Reports No. **FTL-2019, FTL-2021, FTL-2023, FTL-2024, FTL-2025, FTL-2028, FTL-2029** and **FTL-2030**, dated 01/04/99, issued by Fenestration Testing Laboratory, Inc., all signed and sealed by Gilbert Diamond, P.E.
(Submitted under NOA No. 99-0517.05)
7. Proposal issued by Product Control, dated 04/14/98, signed by Jaime D. Gascon, P.E.
(Submitted under NOA No. 99-0517.05)

G. OTHERS

1. Notice of Acceptance No. **20-0901.07** issued to Lawson Industries, Inc., for their Series "SGD-9000 Dry Glazed" 8'0" Aluminum Sliding Glass Door – N.I., approved on 12/03/20 and expiring on 08/26/22.

Ishaq I. Chanda

Ishaq I. Chanda, P.E.
Product Control Unit Supervisor
NOA No. 24-0116.21
Expiration Date: August 26, 2028
Approval Date: February 01, 2024

Custom Window System, Inc.

NOTICE OF ACCEPTANCE: EVIDENCE SUBMITTED

2. EVIDENCE SUBMITTED (CONTINUED)

A. DRAWINGS

1. Drawing No. **L9000-0901**, titled “Series SGD-9000 Aluminum Sliding Glass Door (N.I.) No Steel Reinforcement”, sheets 1 through 8 of 8, dated 06/04/09, with revision **E** dated 09/07/23, prepared by manufacturer, signed and sealed by Thomas J. Sotos, P.E.

B. TESTS

1. Test reports on: 1) Uniform Static Air Pressure Test, Loading per FBC TAS 202-94 along with marked-up drawings and installation diagram of a series 9000 aluminum sliding glass door, prepared by QAI Laboratories, Test Reports No. **QAI-13822**, dated 09/12/23 and **QAI-13850**, dated 08/07/23, signed and sealed by Idalmis Ortega, P.E.

C. CALCULATIONS

1. None.

D. QUALITY ASSURANCE

1. Miami-Dade Department of Regulatory and Economic Resources (RER)

E. MATERIAL CERTIFICATIONS

1. None.

F. STATEMENTS

1. Statement letter of conformance, complying with **FBC 8th Edition (2023)** dated September 18, 2023, issued by manufacturer, signed and sealed by Thomas J. Sotos P.E.
2. Statement letter of no financial interest dated September 18, 2023, issued by manufacturer, signed and sealed by Thomas J. Sotos, P.E.

G. OTHERS

1. Notice of Acceptance No. **22-0613.05**, issued to Lawson Industries, Inc., for their Series “SGD-9000 Aluminum Sliding Glass Door (N.I.) No Steel Reinforcement, expiring 08/26/28.

Ishaq I. Chanda

Ishaq I. Chanda, P.E.
Product Control Unit Supervisor
NOA No. 24-0116.21
Expiration Date: August 26, 2028
Approval Date: February 01, 2024

NOTICE OF ACCEPTANCE: EVIDENCE SUBMITTED

3. New Evidence submitted.

A. DRAWINGS

1. Drawing No. **CWS-1215**, titled ““CWS-380” Non-Impact Aluminum Sliding Door-No Steel Reinforcement”, sheets 1 through 8 of 8, dated DEC 18, 2023, prepared by manufacturer, prepared by manufacturer, signed and sealed by Thomas J. Sotos, P.E.

B. TESTS (submitted under NOA# 23-0926.07)

1. None.

C. CALCULATIONS (submitted under NOA# 23-0926.07)

1. None.

D. QUALITY ASSURANCE

1. Miami Dade Department of Regulatory and Economic Resources (RER).

E. MATERIAL CERTIFICATIONS

1. Technical data sheet of flexible vinyl compound FPVC 7267-75 (White) & FPVC 7200-75 (Black), published by Team Plastics. Inc./ Bayshore Vinyl Compounds, Inc. a division of Mexichem SAB de CV, LLC, expiring on 07/08/24.

F. STATEMENTS

1. Statement letter of conformance, complying with **FBC 8th Edition (2023)** dated December 18, 2023, issued by manufacturer, signed and sealed by Thomas J. Sotos P.E.

G. OTHER

1. This NOA **revises** NOA # **23-0926.07** (PVT Lawson Industries, Inc.), expiring 08/26/28.
2. Private Label agreement dated January 11, 2024 between Lawson Industries Inc. and Custom Window System Inc., signed respectively by Kevin E. Pine, VP Lawson Industries, Inc. and Kevin E. Pine, VP Custom Window System, Inc.

Ishaq I. Chanda

Ishaq I. Chanda, P.E.
Product Control Unit Supervisor
NOA No. 24-0116.21
Expiration Date: August 26, 2028
Approval Date: February 01, 2024



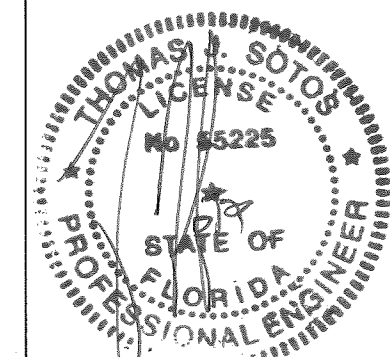
1900 SW 44TH AVE.
OCALA, FLORIDA 34474
WWW.CWS.CC

**CWS 380 NON-IMPACT ALUMINUM
SLIDING GLASS DOOR
NO STEEL REINFORCEMENT**

NO.	DESCRIPTION	BY	DATE
A			

THOMAS J. SOTOS
PROFESSIONAL ENGINEER
FL LIC. # 55225

SEAL



DATE **DEC 18 2023**

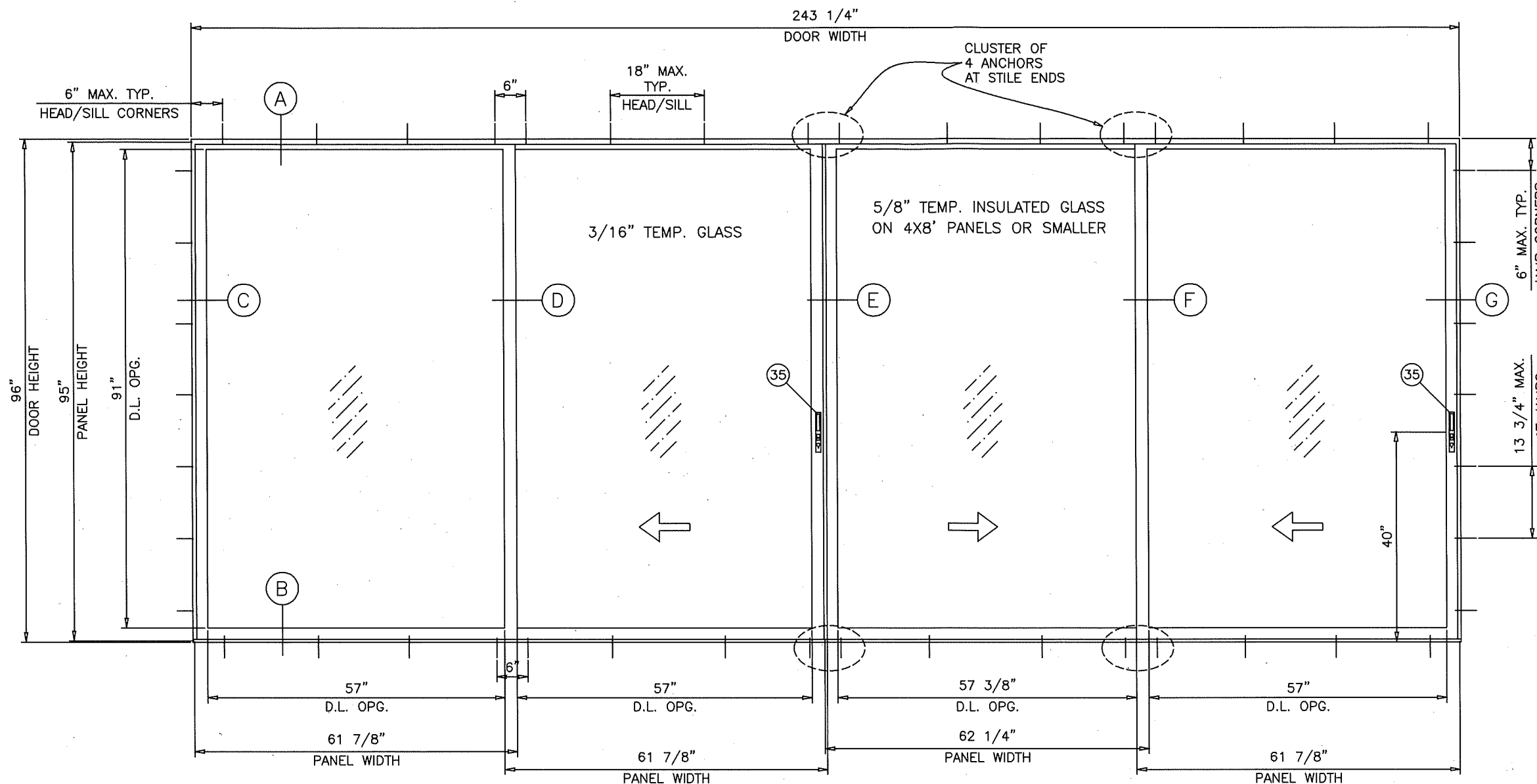
SHEET DESCRIPTION:
GENERAL NOTES AND TEST
DOOR CONFIGURATION

DRAWN BY: NELSON ERAZO DATE: 11/17/2023

REV. BY: DATE:

DWG #: CWS-1215 REV #:

SCALE: AS NOTED SHEET 1 OF 8



TYPICAL ELEVATION
TESTED UNIT (OXXX)

CWS 380 NON-IMPACT ALUMINUM SLIDING GLASS DOOR

NOTES:

SEE SHEET 2 FOR DESIGN LOAD CAPACITY OF DESIRED PANEL SIZE.

THIS PRODUCT HAS BEEN DESIGNED AND TESTED TO COMPLY WITH THE REQUIREMENTS OF THE FLORIDA BUILDING CODE (2020-7th EDITION & 2023-8th Edition).

WOOD BUCKS BY OTHERS, MUST BE ANCHORED PROPERLY TO TRANSFER LOADS TO THE STRUCTURE.

ANCHORS SHALL BE AS LISTED, SPACED AS SHOWN ON DETAILS, ANCHORS EMBEDMENT TO BASE MATERIAL SHALL BE BEYOND WALL DRESSING OR STUCCO.

ANCHORING OR LOADING CONDITIONS NOT SHOWN IN THESE DETAILS ARE NOT PART OF THIS APPROVAL.

**NON-IMPACT
WITHOUT REINFORCING**

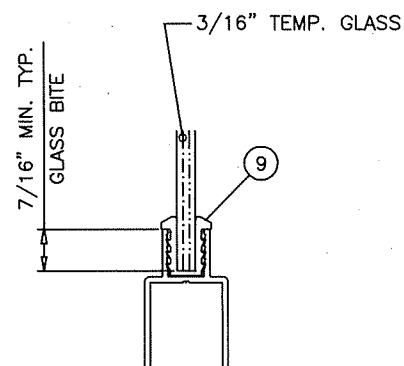
DOORS NOT RATED FOR IMPACT.
INSTALLATION OF THIS PRODUCT REQUIRES THE USE OF APPROVED SHUTTERS OR EXTERNAL PROTECTION DEVICES COMPLYING WITH HVHZ REQUIREMENTS.

PRODUCT REVISED
as complying with the Florida
Building Code
NOA-No. 24-0116.21
Expiration Date 08/26/2028

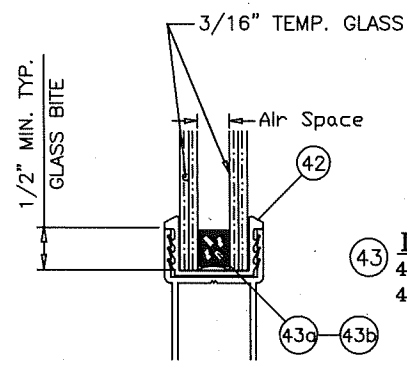
By Ishay I. Chandra
Miami-Dade Product Control

ITEM #	PART #	QUANTITY	DESCRIPTION	MATERIAL	MANF./SUPPLIER/REMARKS
1	L-9001	1	FRAME HEAD (2 TRACK)	6063-T6 ALUM.	PROFILE
2	L-9002	1	FRAME SILL (2 TRACK)	6063-T6 ALUM.	PROFILE
3	L-9003	2	FRAME JAMB (2 TRACK)	6063-T5 ALUM.	PROFILE
4	L-9004	1/ PANEL	PANEL TOP RAIL	6063-T5 ALUM.	PROFILE
5	L-9005	1/ PANEL	PANEL BOTTOM RAIL	6063-T5 ALUM.	PROFILE
6	L-9006	AS REQD.	LOCK STILE / FIXED STILE	6063-T5 ALUM.	PROFILE
7	L-9007	AS REQD.	SINGLE INTERLOCK STILE	6063-T5 ALUM.	PROFILE
8	L-9008	AS REQD.	ASTRAGAL STILE	6063-T6 ALUM.	PROFILE
9	L-9043	AS REQD.	3/16" GLAZING CHANNEL	TEAM PLASTICS Inc.	See Material Composition @ Sheet 8
10	FS-011	4/ PANEL	PANEL ASS'Y SCREW @ TOP RAIL		#10 x 5/8" P.H. - PHILLIPS
11	FS-034	2/ PANEL	PANEL ASS'Y SCREW @ BOTTOM RAIL	-	#10-24 X 1" P.H.-PHIL./ "T"
12	FS-028	8	FRAME ASSEMBLY SCREW	-	#8 X 7/16" P.H.-PHIL. / SMS
13	7519-6001-7	AS REQD.	PILE WTS'P. @ JAMB/ASTRAGAL	-	(0.187"w. x 0.200"h.)-Schlegel
14	7524-6001-6	AS REQD.	PILE WTS'P. @ TOP RAILS	-	(0.187"w. x 0.250"h.)-Schlegel
15	7529-6001-7	AS REQD.	PILE WTS'P. @ BOTTOM RAILS	-	(0.187"w. x 0.300"h.)-Schlegel
16	7520-5001-7	AS REQD.	PILE WTS'P. @ INTERLOCKS	-	(0.187"w. x 0.210"h.)-Schlegel
17		AS REQD.	SILL RISER	6063-T5 ALUM.	SILICONED IN PLACE
18	L-9018	3 OR 4 *	FIXED PANEL JAMB CLIP	6063-T5 ALUM.	GW-27153
19	FS-029	1/ CLIP	FIXED PANEL CLIP SCREW	-	#8 X 5/8" PH.-PHI / SDS
20	AR-001	1	FIXED INTERLOCK ANGLE	6063-T5 ALUM.	3"x 1 1/2"x 1 9/16"x 1/8"
21	AR-002	1	MOVING INTERLOCK ANGLE/CLIP	6063-T5 ALUM.	1 1/2" X 3/4" X 2" X 1/8"
22	L-9022	1	ASTRAGAL RETAINER CLIP	6063-T6 ALUM.	AF-10798
27	*	OPTIONAL	SCREEN JAMB ADAPTER	6063-T6 ALUM.	-
28	L-9028	1	FRAME HEAD (3 TRACK)	6063-T6 ALUM.	-
29	L-9029	1	FRAME SILL (3 TRACK)	6063-T6 ALUM.	-
30	L-9030	2	FRAME JAMB (3 TRACK)	6063-T5 ALUM.	-
31	L-9031	AS REQD.	DOUBLE INTERLOCK STILE	6063-T6 ALUM.	OPTIONAL
32	1071a	2/ PANEL	PANEL TOP RAIL NYLON GUIDE	ST801 Nylon 6-6	Molded Nylon- Rockwell M scale: 79
33	1072a	2/ PANEL	PANEL BOTTOM RAIL NYLON GUIDE	ST801 Nylon 6-6	Molded Nylon- Rockwell M scale: 79
34	HW4-WHL	2/ PANEL	PANEL SINGLE ROLLER		6 COMPONENT - ASS'Y 150
35	HC-038	AS REQ'D.	DOOR LOCK ASSEMBLY	-	INT. & EXT. PULLS, CAM, KEEPER
36	LII-109A	1/ PANEL	5/8" INSULATED PANEL TOP RAIL	6063-T6 ALUM.	PROFILE
37	LII-110A	1/ PANEL	5/8" INSULATED PANEL BOTTOM RAIL	6063-T5 ALUM.	PROFILE
38	LII-108	1/ PANEL	5/8" INSULATED PANEL LOCK STILE	6063-T6 ALUM.	PROFILE
39	LII-082	1/ PANEL	5/8" INSULATED PANEL INTERLOCK	6063-T6 ALUM.	PROFILE
40	LII-163	1/ PANEL	5/8" INSULATED PANEL ASTRAGAL	6063-T6 ALUM.	PROFILE
41	AF-10403	AS REQ'D.	POCKET DOOR JAMB HOOK	6063-T6 ALUM.	PROFILE
42	L-9045	AS REQ'D.	5/8 INSULATED GLAZING CHANNEL	TEAM PLASTICS Inc.	See Material Composition @ Sheet 8
43 a	812-25H-357	AS REQ'D.	"TruSeal" Dura Seal Swiggle Spacer	*	Black - 1/4" Air Space
43 b	Quanex	AS REQ'D.	"Quanex" Super Spacer w/ Isomelt M	*	Black - 1/4" Air Space

* 4 ON 9/0 HIGH DOORS ONLY



3/16 TEMP. GLAZING DETAIL



5/8 TEMP. INSULATED GLAZING DETAIL

43 Insulated Spacer Types & Options
 43 a) "TrueSeal" Swiggle Seal
 43 b) "Quanex" SuperSpacer w/ Isomelt M

DESIGN LOAD CAPACITY - PSF									
PANEL WIDTH NOMINAL FT./IN.	DOOR HEIGHT FT./IN.	DOORS WITH 2 PANELS ONLY (3/16" TEMP. GLASS)							
		1-3/4" SILL		2-1/4" SILL		2-1/2" SILL		3" SILL	
		EXT. (+)	INT. (-)	EXT. (+)	INT. (-)	EXT. (+)	INT. (-)	EXT. (+)	INT. (-)
2/0	6/8	40.7	89.3	56.7	89.3	63.3	89.3	64.5	89.3
2/6		40.7	75.3	56.7	75.3	63.3	75.3	64.5	75.3
3/0		40.7	66.2	56.7	66.2	63.3	66.2	64.5	66.2
4/0		40.7	55.4	55.4	55.4	55.4	55.4	55.4	55.4
5/0		40.7	49.9	49.9	49.9	49.9	49.9	49.9	49.9
2/0	8/0	40.7	72.2	56.7	72.2	63.3	72.2	64.5	72.2
2/6		40.7	60.4	56.7	60.4	60.4	60.4	60.4	60.4
3/0		40.7	52.5	52.5	52.5	52.5	52.5	52.5	52.5
4/0		40.7	43.0	43.0	43.0	43.0	43.0	43.0	43.0
2/0	9/0	40.7	54.3	54.3	54.3	54.3	54.3	54.3	54.3
2/6		40.7	44.3	44.3	44.3	44.3	44.3	44.3	44.3

5/8" TEMP. INSULATED GLASS MAY BE USED IN 4X8' PANELS OR SMALLER.

DESIGN LOAD CAPACITY - PSF									
PANEL WIDTH NOMINAL FT./IN.	DOOR HEIGHT FT./IN.	DOORS WITH 3 OR MORE PANELS (3/16" TEMP. GLASS)							
		1-3/4" SILL		2-1/4" SILL		2-1/2" SILL		3" SILL	
		EXT. (+)	INT. (-)	EXT. (+)	INT. (-)	EXT. (+)	INT. (-)	EXT. (+)	INT. (-)
2/6	6/8	40.7	61.4	56.7	61.4	61.4	61.4	61.4	61.4
3/0		40.7	54.0	54.0	54.0	54.0	54.0	54.0	54.0
4/0		40.7	45.3	45.3	45.3	45.3	45.3	45.3	45.3
5/0		40.7	40.9	40.9	40.9	40.9	40.9	40.9	40.9
2/6	8/0	40.7	49.2	49.2	49.2	49.2	49.2	49.2	49.2
3/0		40.7	42.9	42.9	42.9	42.9	42.9	42.9	42.9
4/0		30.0	30.0	30.0	30.0	30.0	30.0	30.0	30.0

5/8" TEMP. INSULATED GLASS MAY BE USED IN 4X8' PANELS OR SMALLER.

GLASS CAPACITIES ON THESE CHARTS ARE BASED ON ASTM E1300-98 (60 SEC. WIND)

THIS APPROVES DOORS USING TWO (2) OR THREE (3) TRACK FRAMES WITH ANY NUMBER OF PANELS THAT CONTAIN THE STILE CONFIGURATIONS SHOWN ON SHEETS 4 AND 6, I.E. XX, OX, XO, XXX, OXO, OXXO, AND THE FOLLOWING POCKET DOOR CONFIGURATIONS: XXp, pXX, XXXp, pXXX, XXXXp, pXXXX, pXXXXp, OXXXp, pXXXO

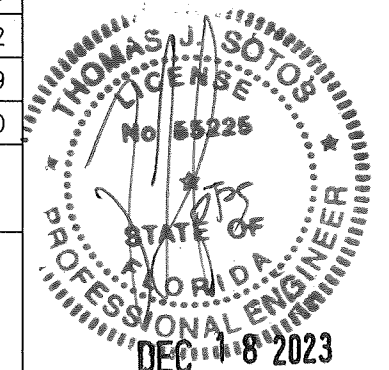
PRODUCT REVISED
 as complying with the Florida Building Code
 NOA-No. 24-0116.21
 Expiration Date 08/26/2028
 By Isaac I. Chank
 Miami-Dade Product Control

1900 SW 44TH AVE.
 OCALA, FLORIDA 34474
 WWW.CWS.CC

CWS 380 NON-IMPACT ALUMINUM SLIDING GLASS DOOR NO STEEL REINFORCEMENT

NO.:	DESCRIPTION:	REVISIONS
A		

THOMAS J. SOTOS
 PROFESSIONAL ENGINEER
 FL LIC. # 55225
 SEAL



DATE: _____
 SHEET DESCRIPTION:
 BILL OF MATERIALS,
 GLAZING DETAILS & DP
 LOAD CHARTS

DRAWN BY: NELSON ERAZO	DATE: 11/17/2023
REV. BY: -	DATE:
DWG #: CWS-1215	REV #:
SCALE: AS NOTED	SHEET 2 OF 8

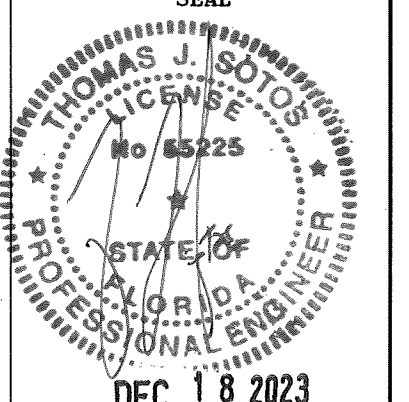


1900 SW 44TH AVE.
OCALA, FLORIDA 34474
WWW.CWS.CC

**CWS 380 NON-IMPACT ALUMINUM
SLIDING GLASS DOOR
NO STEEL REINFORCEMENT**

NO.	DESCRIPTION	BY	DATE
A			

THOMAS J. SOTOS
PROFESSIONAL ENGINEER
FL LIC. # 55225



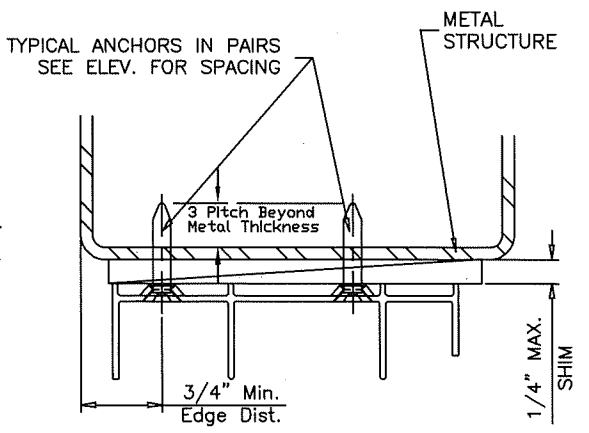
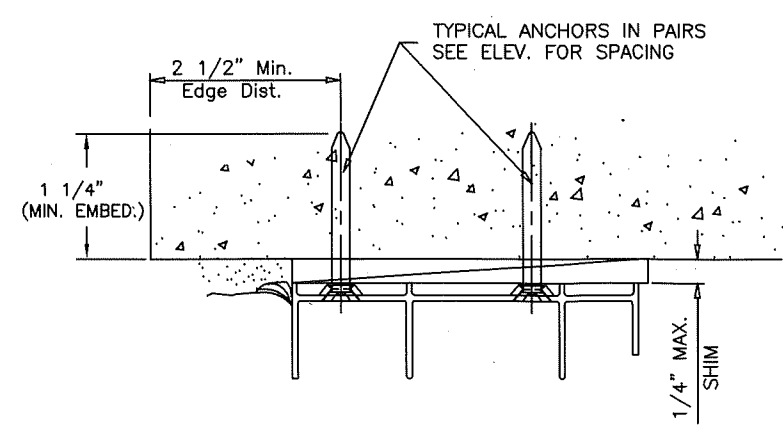
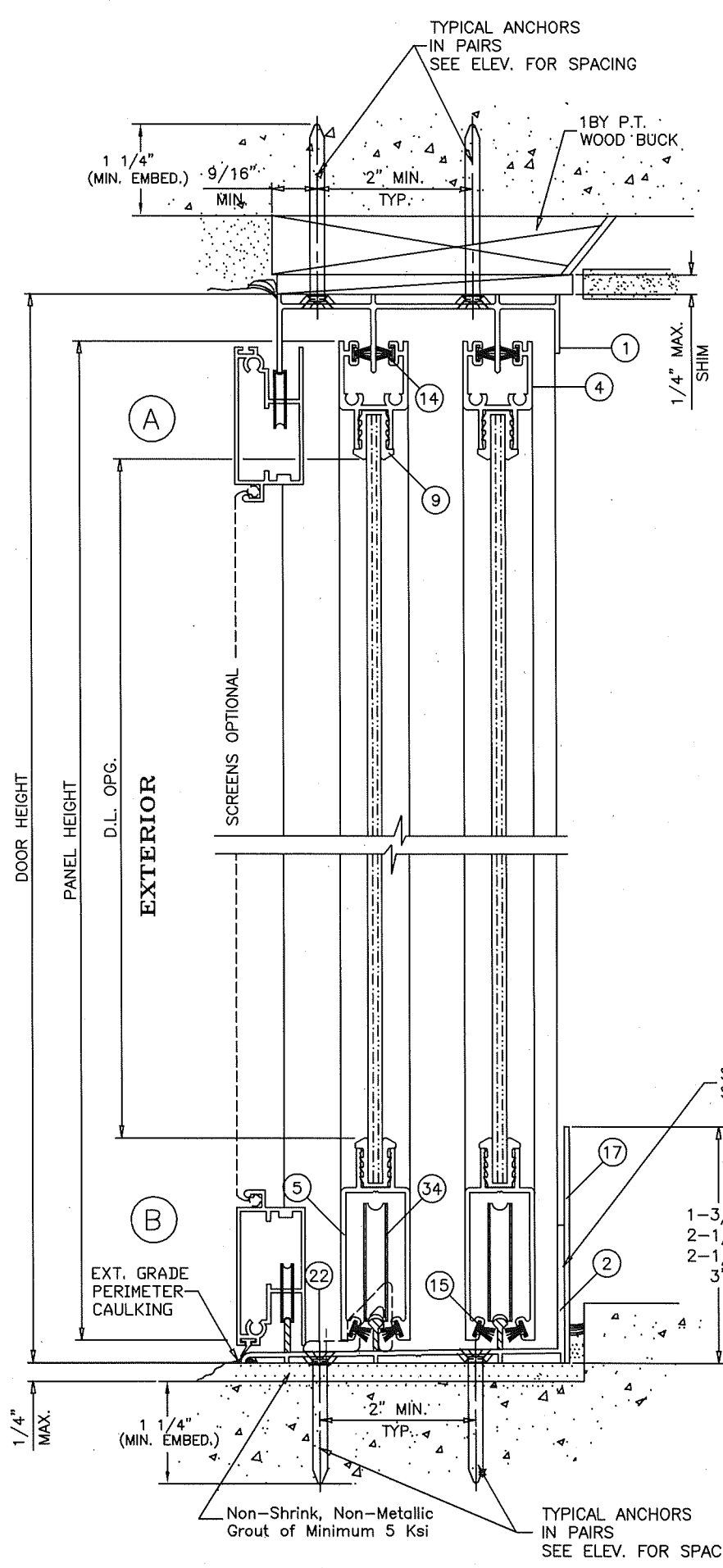
DATE: _____
SHEET DESCRIPTION:
2 TRACK VERTICAL
SECTIONS, ANCHOR
DETAILS & NOTES

DRAWN BY: NELSON ERAZO DATE: 11/17/2023

REV. BY: _____ DATE: _____

DWG #: CWS-1215 REV #: _____

SCALE: AS NOTED SHEET 3 OF 8



WOOD BUCKS AND METAL STRUCTURES NOT BY CWS MUST SUPPORT LOADS IMPOSED BY GLAZING SYSTEM AND TRANSFER THEM TO THE BUILDING STRUCTURE.

TYPICAL ANCHORS: (SEE ELEV. FOR SPACING)
1/4" DIA TAPCONS by ITW BUILDDEX (Fy= 100 Ksi, Fu= 125ksi)
INTO 2BY WOOD BUCKS OR WOOD STRUCTURE
1-3/8" MIN. PENETRATION INTO WOOD
THRU 1BY WOOD BUCKS INTO MASONRY OR CONC.
1-1/4" MIN. EMBED INTO MASONRY OR CONC.
DIRECTLY INTO CONCRETE OR MASONRY
1-1/4" MIN. EMBED INTO CONCRETE OR MASONRY

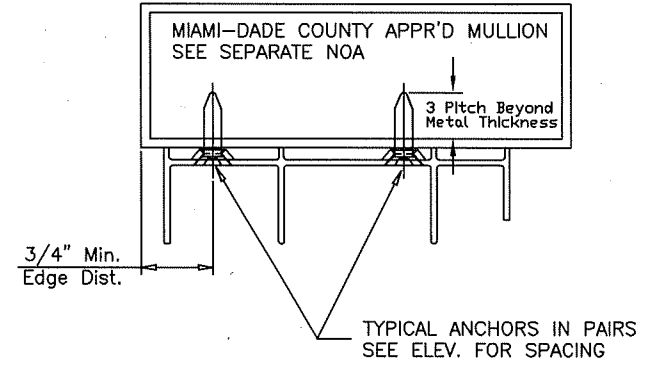
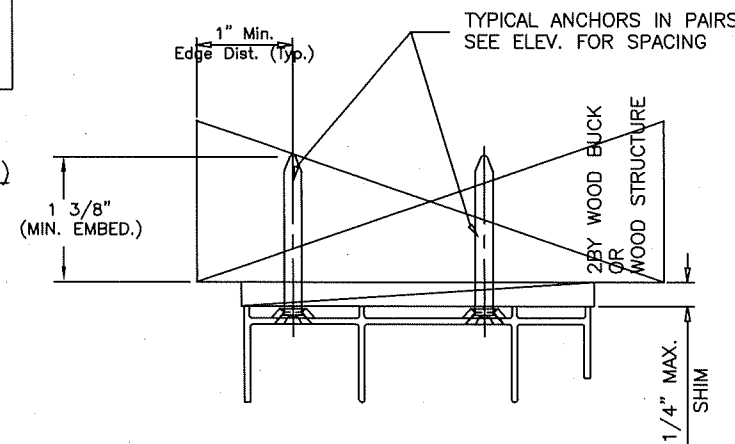
#14 SMS OR SELF DRILLING SCREWS - GRADE 5
INTO METAL STRUCTURES
STEEL : 12 GA. MIN. THICK - 0.105" (Fy = 36 KSI MIN.)
ALUMINUM : 1/8" THK. MIN. (6063-T5 MIN.)

#10 SMS - GRADE 2
INTO MIAMI-DADE COUNTY APPROVED MULLIONS (MIN. THK. = 1/8")
(NO SHIM SPACE)

TYPICAL EDGE DISTANCES
INTO CONCRETE AND MASONRY = 2-1/2" MIN.
INTO WOOD STRUCTURE = 1" MIN. (OR AS SHOWN)
INTO METAL STRUCTURE = 3/4" MIN.

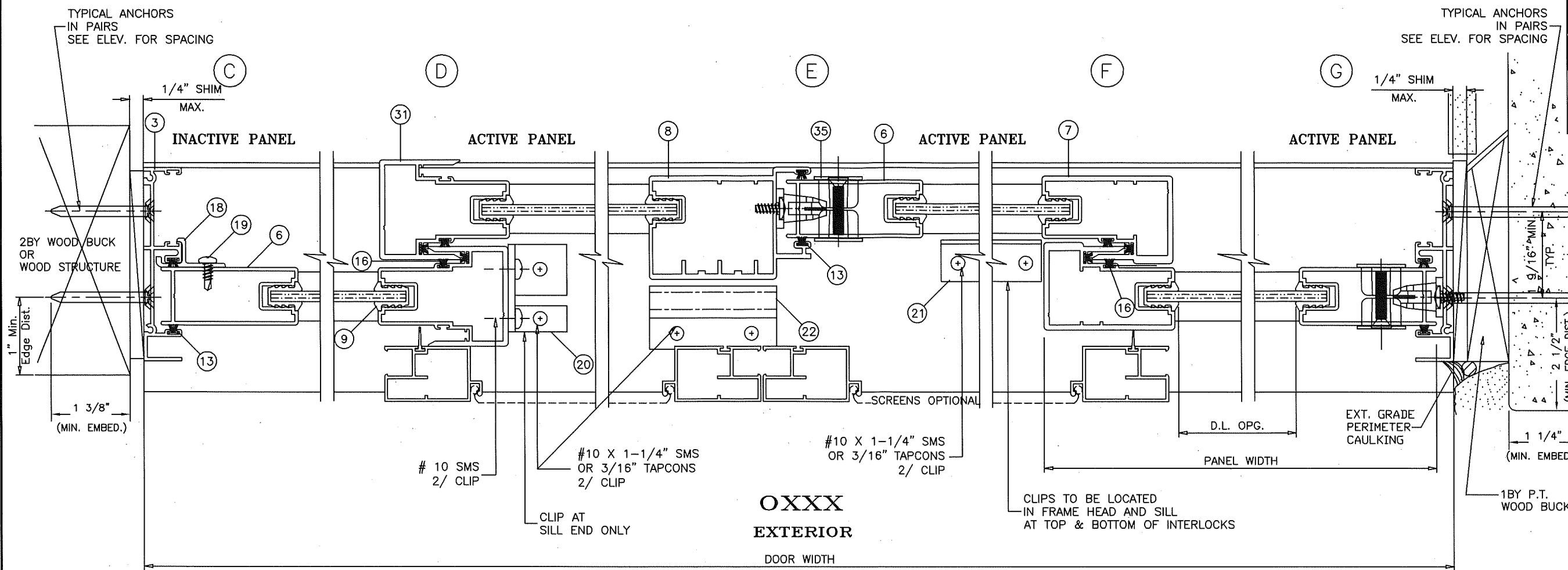
SUBSTRATES:
WOOD BUCK (P.T.) AT HEAD OR JAMBS SG = 0.55 MIN.
CONCRETE AT HEAD, SILL OR JAMBS F'c = 3000 PSI MIN.
C-90 GROUT / FILLED BLOCK AT JAMBS F'm = 2000 PSI MIN.

SEALANTS:
ALL FRAME AND PANEL JOINT, INSTALLATION SCREWS AND HEADS OF ANCHOR SCREWS AT SILL TO BE SEALED WITH SEALANT.



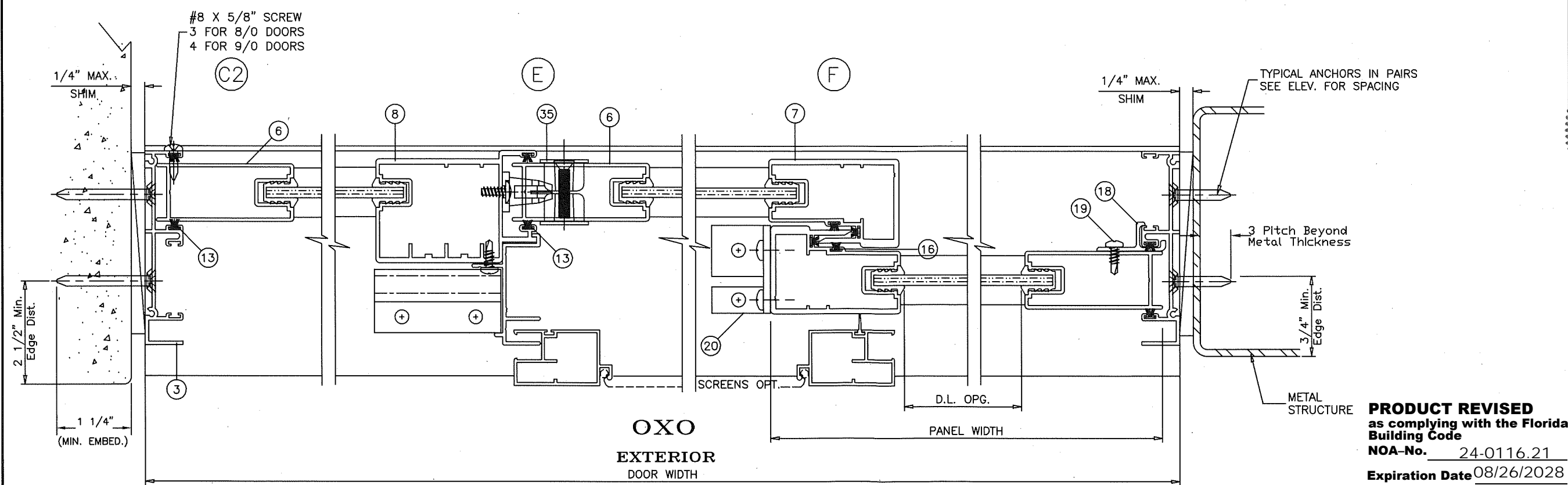
PRODUCT REVISED
as complying with the Florida
Building Code
NOA-No. 24-0116.21
Expiration Date 08/26/2028
By Ishag I. Chande
Miami-Dade Product Control

TWO (2) TRACK SECTION

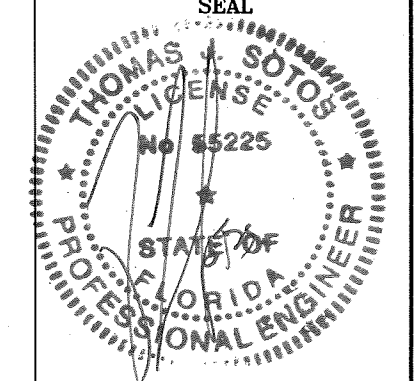


**CWS 380 NON-IMPACT ALUM
 SLIDING GLASS DOOR
 NO STEEL REINFORCEMENT**

NO.	DESCRIPTION	BY:	DATE:
A			



**THOMAS J. SOTOS
 PROFESSIONAL ENGINEER
 FL LIC. # 55225**



DATE DEC 18 2023
 SHEET DESCRIPTION:
 2 TRACK HORIZONTAL
 CROSS SECTIONS

DRAWN BY: NELSON ERAZO
 DATE: 11/17/2023

REV. BY: _____ DATE: _____

PRODUCT REVISED
 as complying with the Florida
 Building Code
 NOA-No. 24-0116.21

Expiration Date 08/26/2028

By *Ishag I. Chank*
 Miami-Dade Product Control

DWG #: CWS-1215
 REV #:

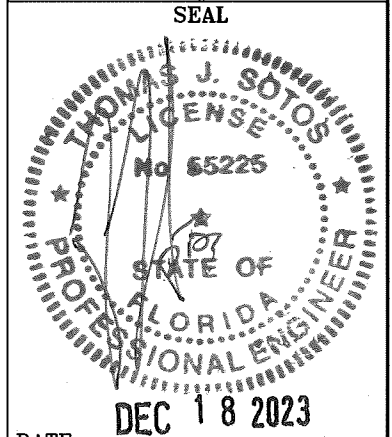
SCALE: AS NOTED
 SHEET 4 OF 8

TWO (2) TRACK SECTION

**CWS 380 NON-IMPACT ALUMINUM
SLIDING GLASS DOOR
NO STEEL REINFORCEMENT**

NO.	DESCRIPTION	BY	DATE
A			

THOMAS J. SOTOS
PROFESSIONAL ENGINEER
FL LIC. # 55225



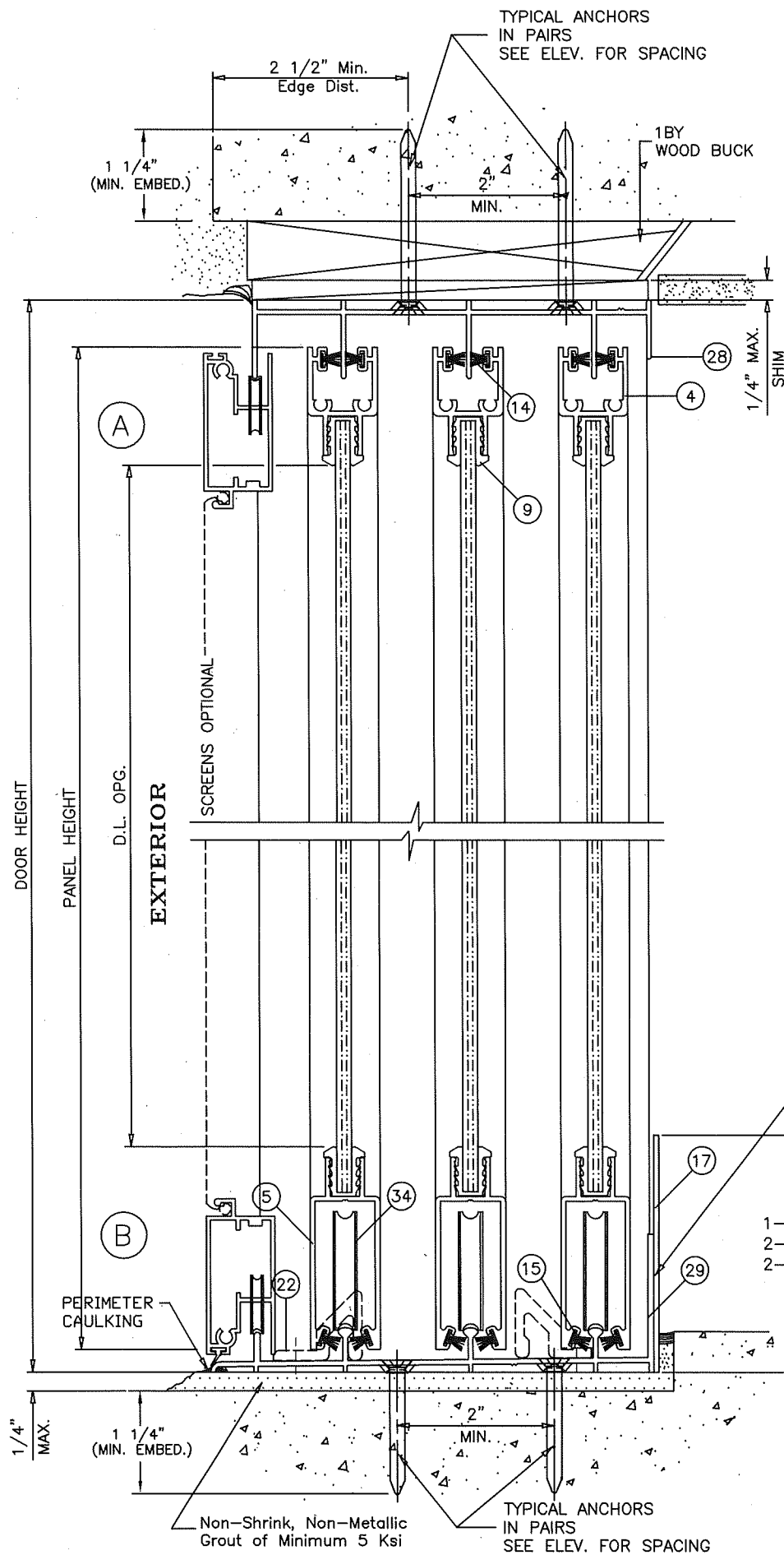
DATE: DEC 18 2023
SHEET DESCRIPTION:
3 TRACK VERTICAL CROSS
SECTIONS, ANCHOR
DETAILS & NOTES

DRAWN BY: NELSON ERAZO
DATE: 11/17/2023

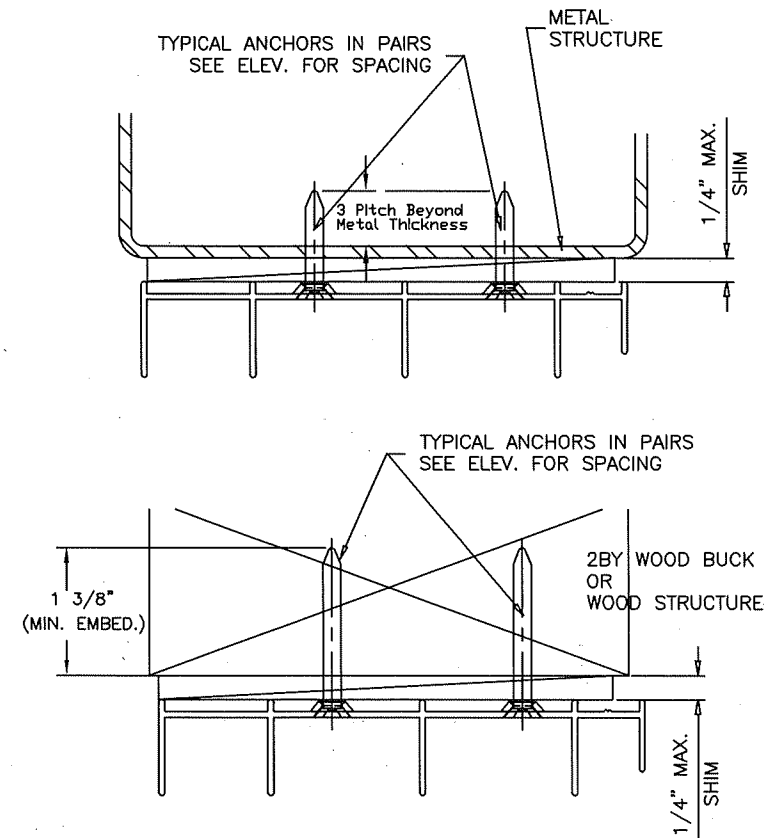
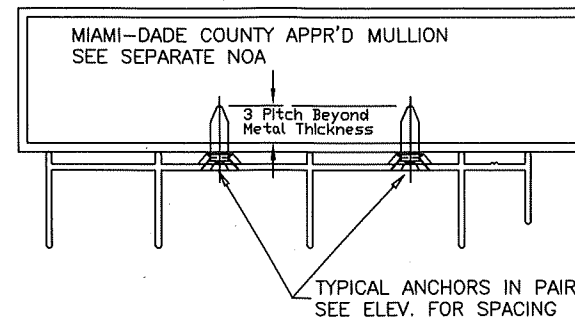
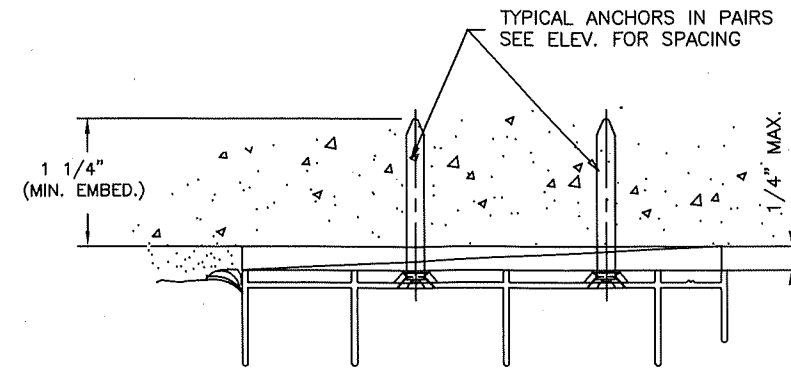
REV. BY: DATE:

DWG #: CWS-1215
REV #:

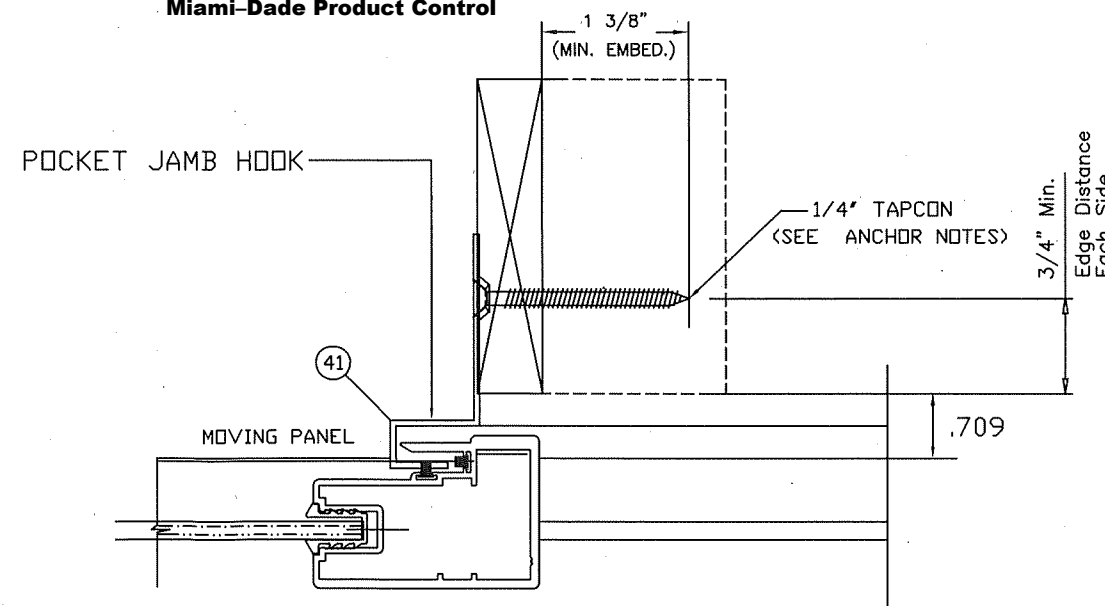
SCALE: AS NOTED
SHEET 5 OF 8



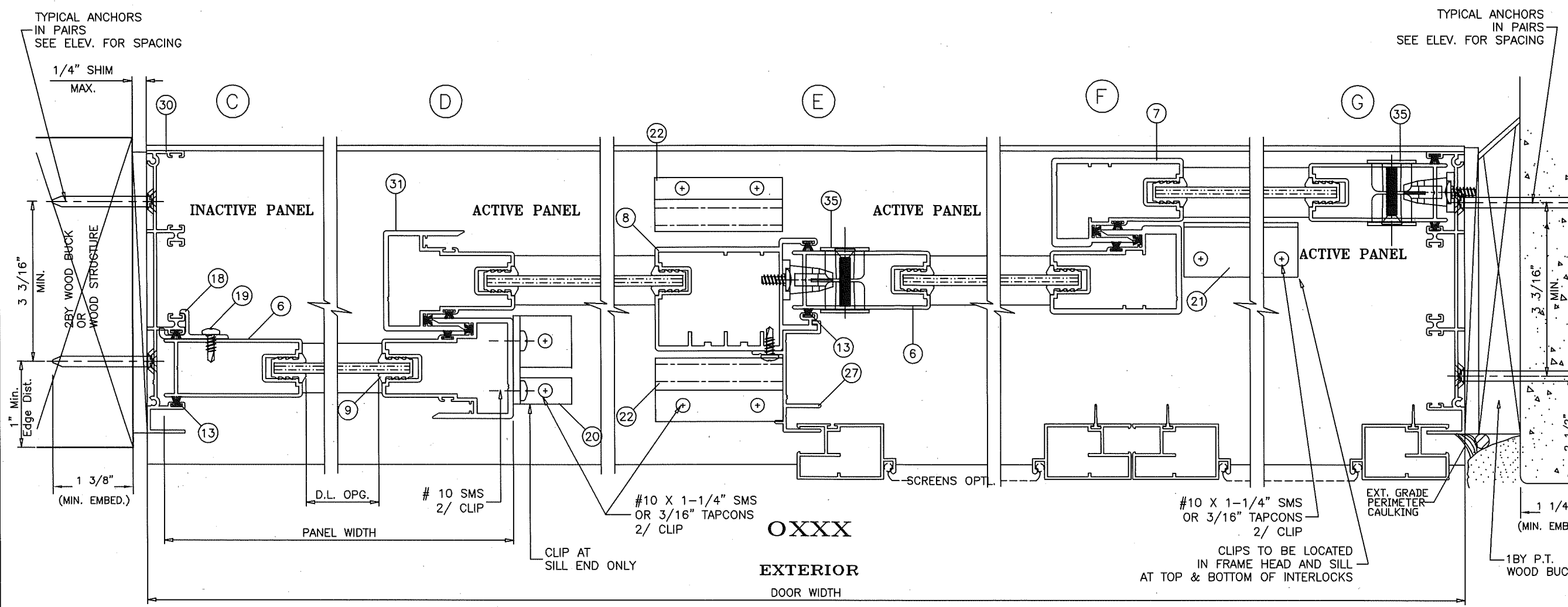
THREE (3) TRACK SECTION



PRODUCT REVISED
as complying with the Florida
Building Code
NOA-No. 24-0116.21
Expiration Date 08/26/2028
By Ishag I. Chande
Miami-Dade Product Control

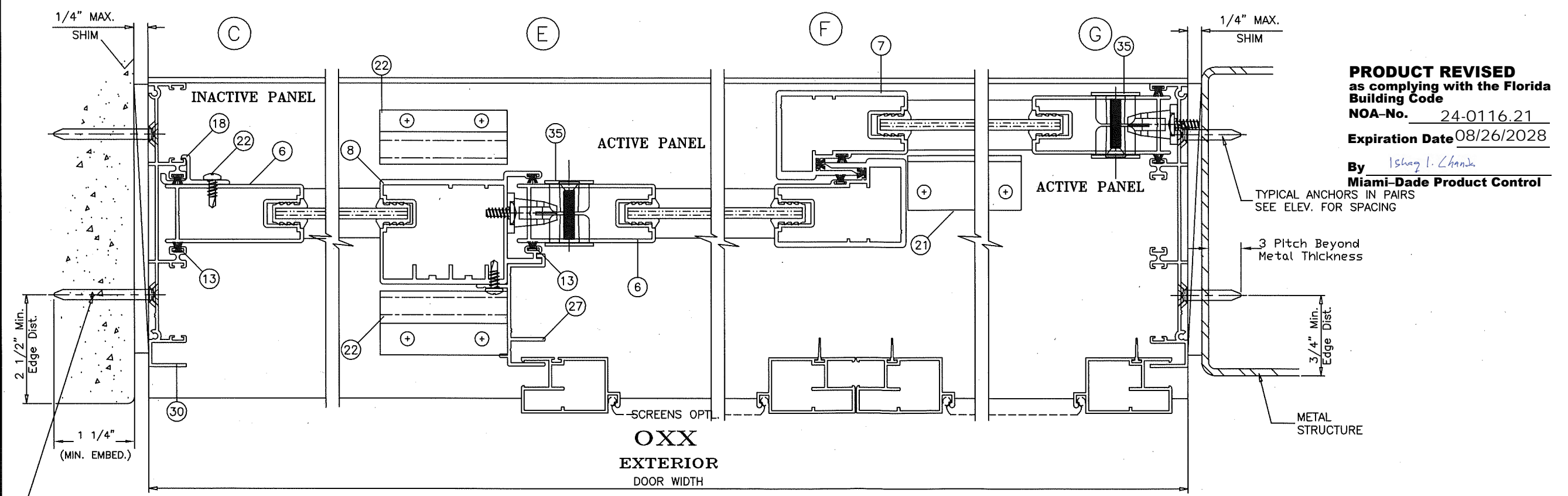


POCKET DOOR JAMB ANCHOR DETAIL



**CWS 380 NON-IMPACT
ALUM. SLIDING GLASS DOOR
NO STEEL REINFORCEMENT**

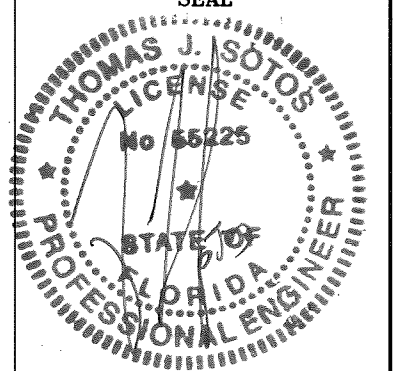
NO.	DESCRIPTION	BY	DATE
A			



PRODUCT REVISED
as complying with the Florida
Building Code
NOA-No. 24-0116.21
Expiration Date 08/26/2028
By *Ishag I. Chahin*
Miami-Dade Product Control

THOMAS J. SOTOS
PROFESSIONAL ENGINEER
FL LIC. # 55225

SEAL



DATE **DEC 18 2023**

SHEET DESCRIPTION:
**3 TRACK HORIZONTAL
CROSS SECTIONS**

DRAWN BY: NELSON ERAZO	DATE: 11/17/2023
REV. BY:	DATE:
DWG #: CWS-1215	REV #:
SCALE: AS NOTED	SHEET 6 OF 8

THREE (3) TRACK SECTION

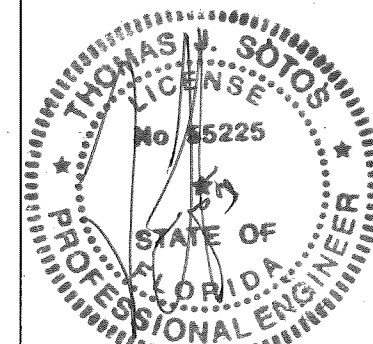


1900 SW 44TH AVE.
OCALA, FLORIDA 34474
WWW.CWS.CC

**CWS 380 NON-IMPACT ALUMINUM
SLIDING GLASS DOOR
NO STEEL REINFORCEMENT**

NO.	DESCRIPTION	BY	DATE
A			

THOMAS J. SOTOS
PROFESSIONAL ENGINEER
FL LIC. # 55225
SEAL



DATE **DEC 18 2023**

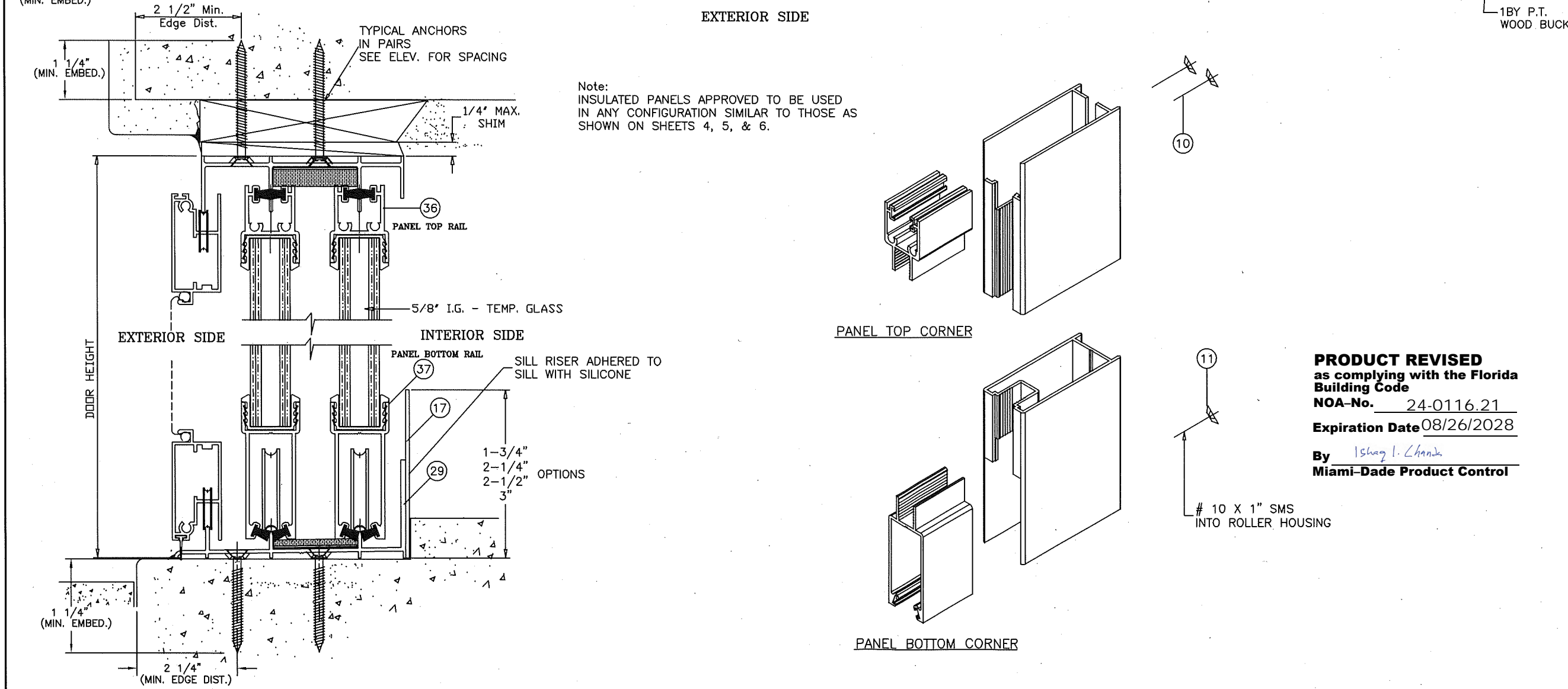
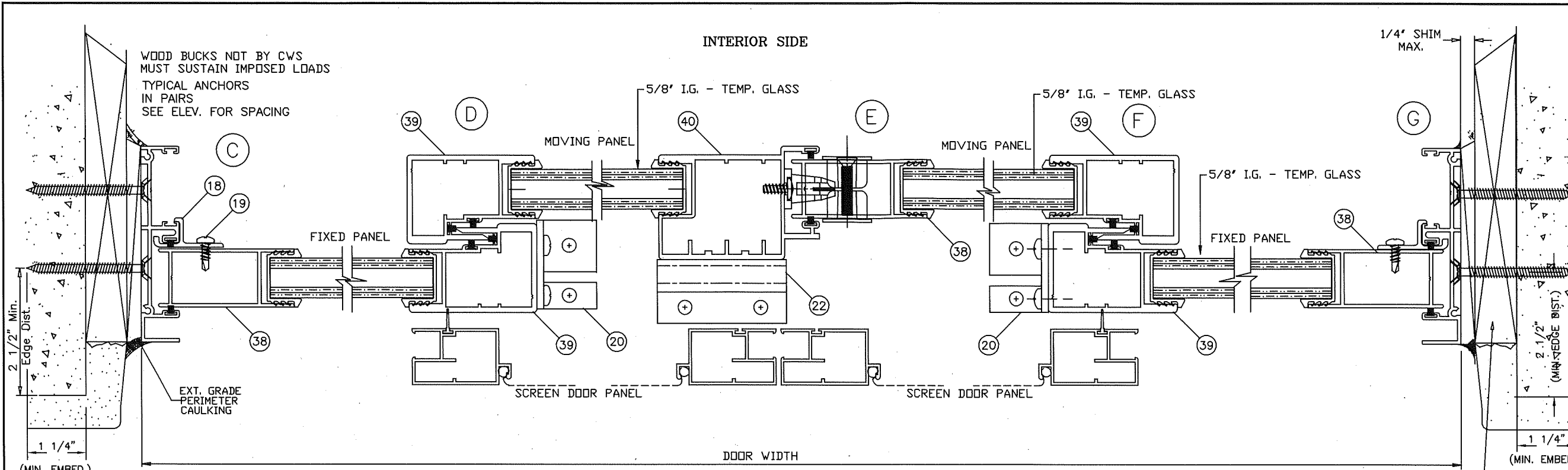
SHEET DESCRIPTION:
INSULATED DOOR PANEL
SECTIONS & PANEL TYPE
DETAILS

DRAWN BY: NELSON ERAZO DATE: 11/17/2023

REV. BY: DATE:

DWG #: CWS-1215 REV #:

SCALE: AS NOTED SHEET 7 OF 8



PRODUCT REVISED
as complying with the Florida Building Code
NOA-No. 24-0116.21
Expiration Date 08/26/2028
By Ishaq I. Chande
Miami-Dade Product Control

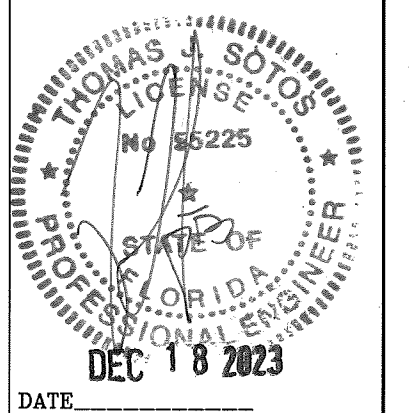


1900 SW 44TH AVE.
OCALA, FLORIDA 34474
WWW.CWS.CC

**CWS 380 NON-IMPACT ALUMINUM
SLIDING GLASS DOOR
NO STEEL REINFORCEMENT**

NO.	DESCRIPTION	BY	DATE
A			

THOMAS J. SOTOS
PROFESSIONAL ENGINEER
FL LIC. # 55225
SEAL



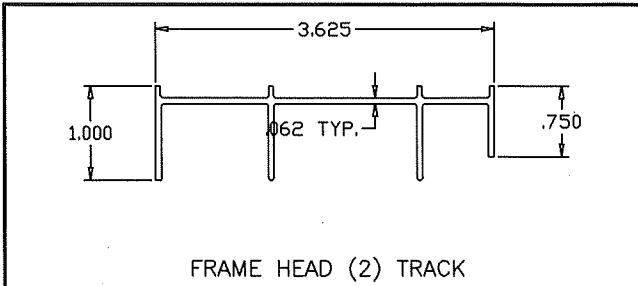
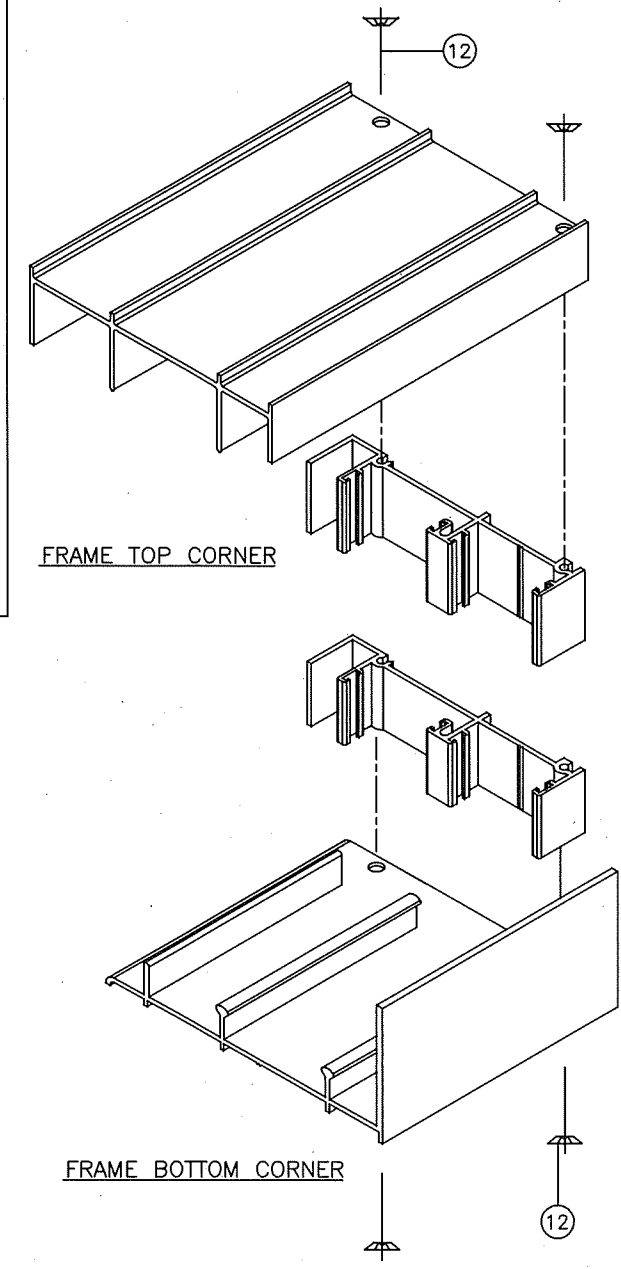
DATE: _____
SHEET DESCRIPTION:
EXTRUSION SECTION
DRAWINGS & FRAME
ASSEMBLY DETAIL

DRAWN BY: NELSON ERAZO DATE: 11/17/2023

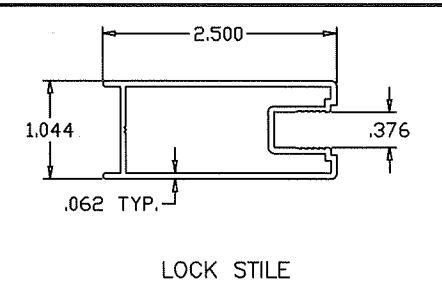
REV. BY: _____ DATE: _____

DWG #: CWS-1215 REV. #:

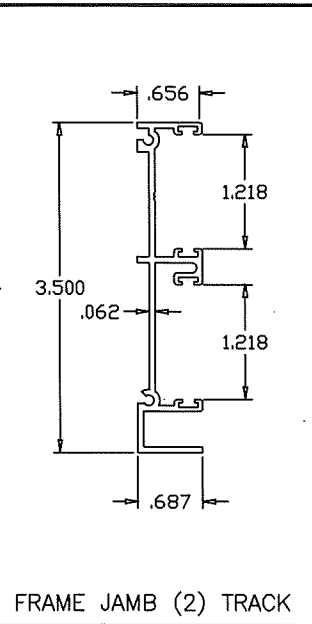
SCALE: AS NOTED SHEET 8 OF 8



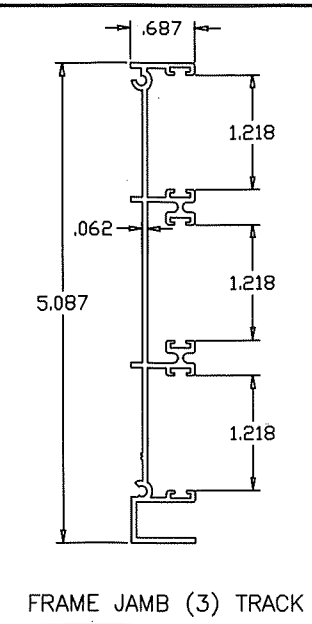
FRAME HEAD (2) TRACK



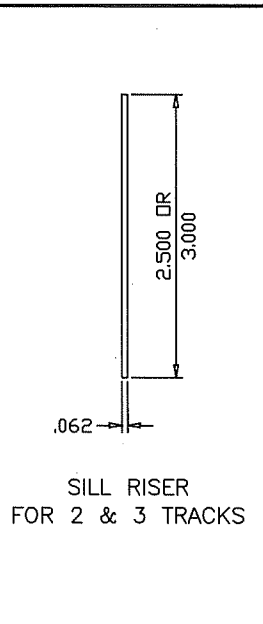
LOCK STILE



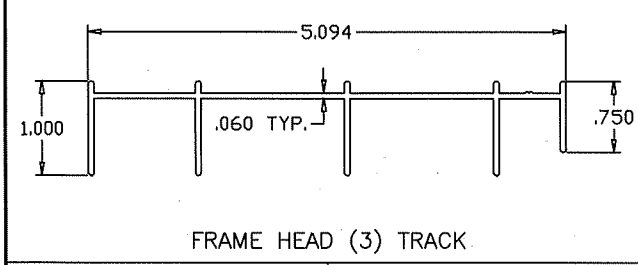
FRAME JAMB (2) TRACK



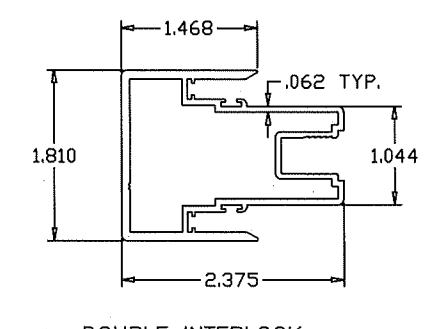
FRAME JAMB (3) TRACK



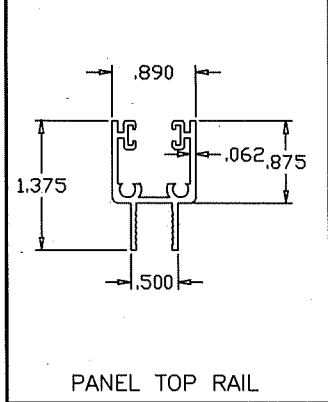
SILL RISER
FOR 2 & 3 TRACKS



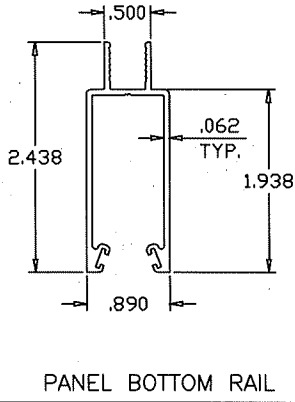
FRAME HEAD (3) TRACK



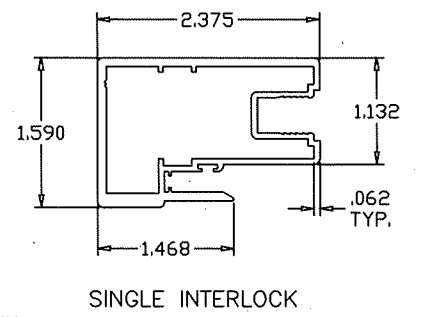
DOUBLE INTERLOCK



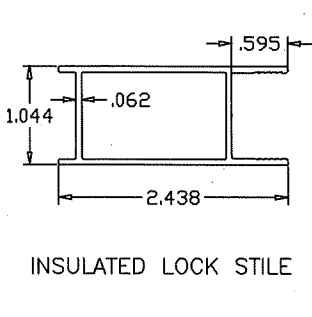
PANEL TOP RAIL



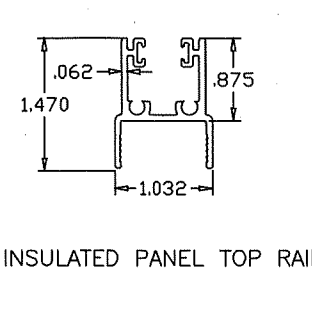
PANEL BOTTOM RAIL



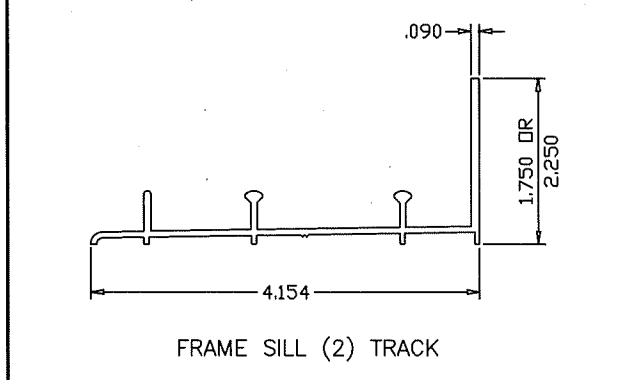
SINGLE INTERLOCK



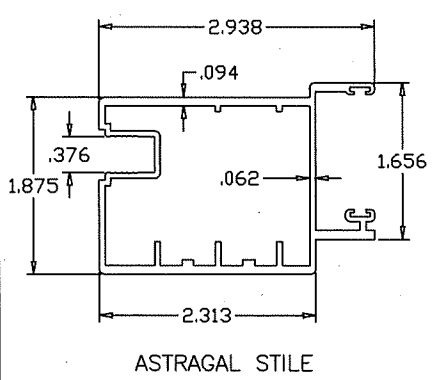
INSULATED LOCK STILE



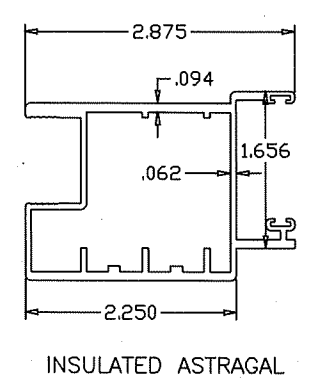
INSULATED PANEL TOP RAIL



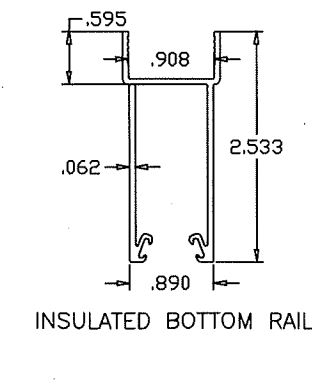
FRAME SILL (2) TRACK



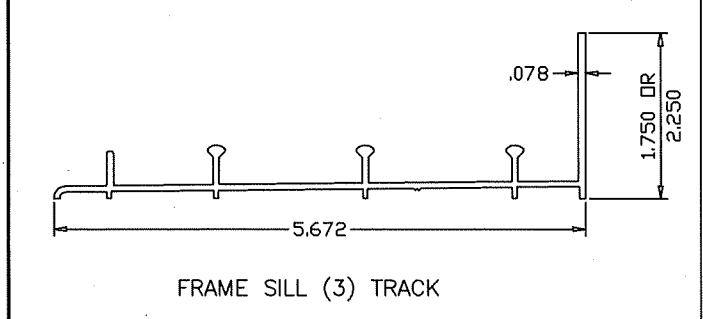
ASTRAGAL STILE



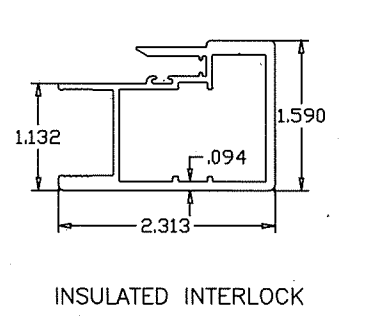
INSULATED ASTRAGAL



INSULATED BOTTOM RAIL

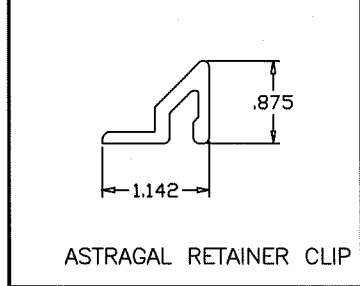


FRAME SILL (3) TRACK

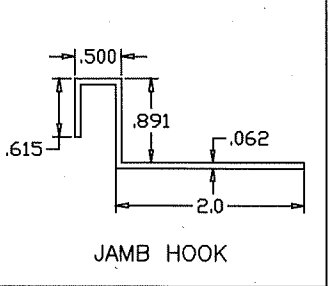


INSULATED INTERLOCK

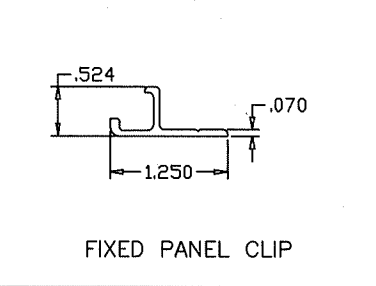
Flexible Vinyl (FPVC) Composition - Team Plastics, Inc.		
*1. FPVC Black: Compound No. 7200-75		
PHYSICAL		ASTM NO.
Durometer Hardness "A", 10 sec	75	D-2240
Specific Gravity	1.45	D-792
Tensile Strength, PSI	1640	D-638
Ultimate Elongation, %	340.0	D-638
Modulus @ 100% Elongation, PSI	765.0	D-638
Impact Brittleness,	-31.0	D-746
*2. FPVC White: Compound No. 7267-75		
PHYSICAL		ASTM NO.
Durometer Hardness "A", 10 sec	75	D-2240
Specific Gravity	1.45	D-792
Tensile Strength, PSI	1640	D-638
Ultimate Elongation, %	325.0	D-638
Modulus @ 100% Elongation, PSI	765.0	D-638
Impact Brittleness,	-30.0	D-746



ASTRAGAL RETAINER CLIP



JAMB HOOK



FIXED PANEL CLIP

PRODUCT REVISED
as complying with the Florida
Building Code
NOA-No. 24-0116.21
Expiration Date 08/26/2028
By Ishag I. Chande
Miami-Dade Product Control